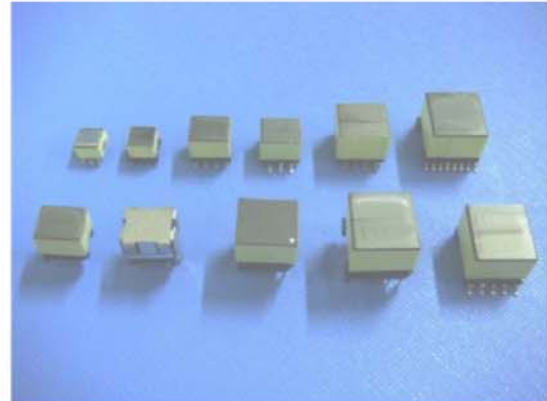


FEATHER

- TRANSFORMERS FOR POWER OVER ETHERNET (PoE)
- HIGH FREQUENCY POWER TRANSFORMER
- HIGH FREQUENCY SWITCHING TRANSFORMER
- AUDIO TRANSFORMER
- ADSL/ISDN LINE TRANSFORMER
- WIDE VARIETY OF OTHER SIZES AND VALUES AVAILABLE
- Accepting the customer all kinds of orders to make



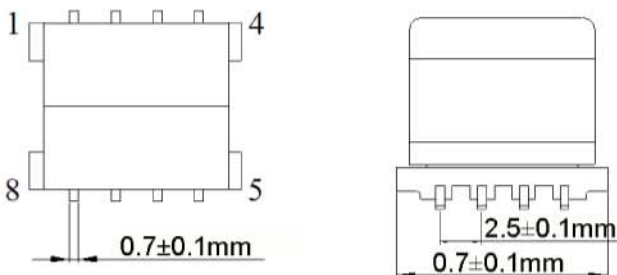
ELECTRICAL SPECIFICATIONS@25°C -OPERATING TEMPERATURE -40°C TO +85°C

Part no.	Turns Ratio (±3%)			Primary Inductance (uH±10%) (10KHz/0.1Vrms)	Leakage Inductance (uH MAX) (Pri. @Short other Pins) (100KHz/0.1Vrms)	DCR (mΩ MAX)			Pri. To Sec. & Pri. Aux. To Sec. Isolation (Vrms MAX)
	Pri	Sec.	Pri. Aux.			Pri.	Pri. Aux.	Sec.	
ST-07SEP5011S	1	0.083	0.208	500	7.5	1750	215	15	1500/1mA/1MIN.
ST-07SEP3111S	1	0.182	0.682	310	5	1600	2600	45	1500/1mA/1MIN.
ST-07SEP3112S	1	0.273	0.682	310	5	1600	2650	87	1500/1mA/1MIN.
ST-10SEP2001F	1	0.444	0.388	20.4	*1.5	80	105	30	**
ST-10SEP2513S	1	0.125	0.208	253	10	420	115	20	1500/1mA/2S
ST-10SEP1611S	1	0.682	0.682	155	8	540	920	370	1500/1mA/2S
ST-13SEP2611S	1	0.283	0.204	264	10	800	115	66	1500/1mA/2S
ST-13SEP7701Z	1	0.273	0.682	77.4	0.8	220	250	18	1500/1mA/2S
ST-13SEP1211Z	1	0.292	0.208	127	10	460	94	60	1500/1mA/1S
ST-13SEP2801Z	1	0.470	0.294	28.9	1	58	55	27	1500/1mA/2S

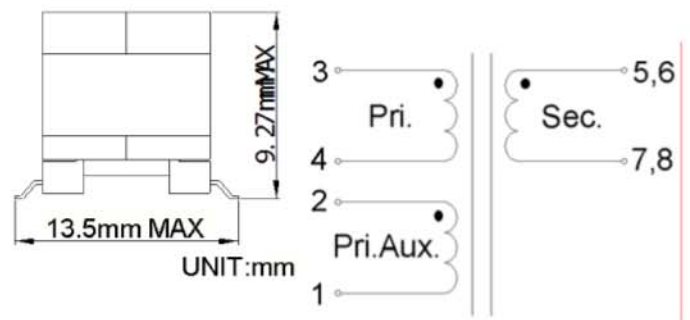
NOTE:

- *:Leakage Inductance Test Condition: 100KHz/1V
- ** :Pri & Pri.Aux. To Sec.:1500Vrms/1mA/2S
Pri. To Pri.Aux.:500Vrms/1mA/2S
Pri. & Pri.Aux. To Core: 500Vrms/1mA/2S
Sec. To Core: 500Vrms/1mA/2S
- ***:Operating Temperature: -40°C~+125°C
- ****:Turns Ratio: ±5%

07SEP Mechanicals



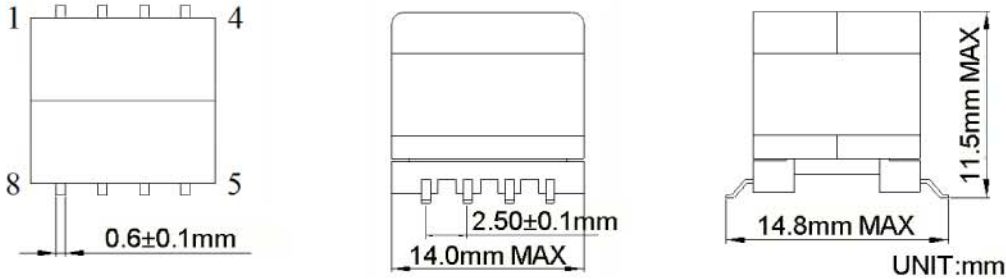
Schematics



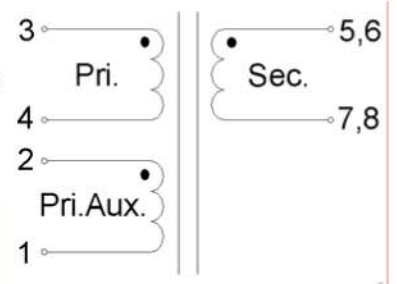
Dimensions:mm

Unless otherwise specified,all tolerances are ±0.25

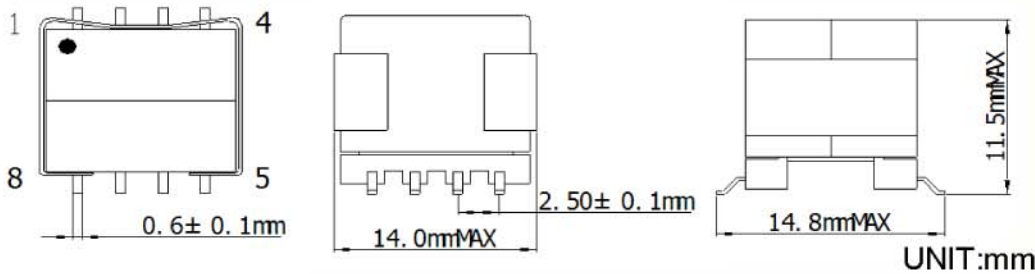
10SEP Mechanicals



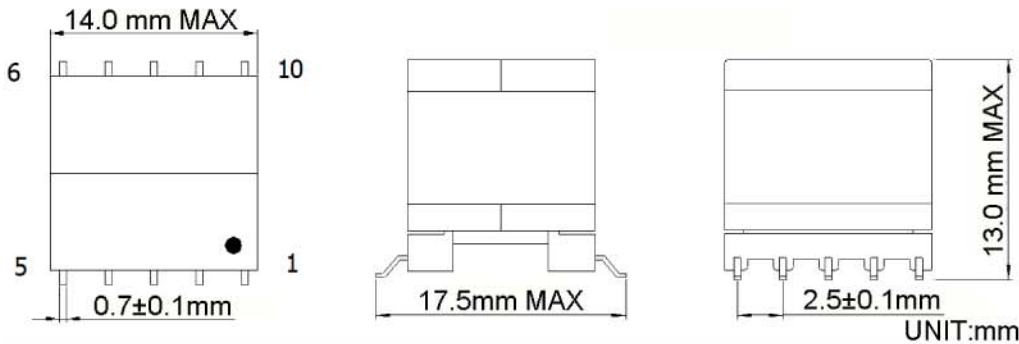
Schematics



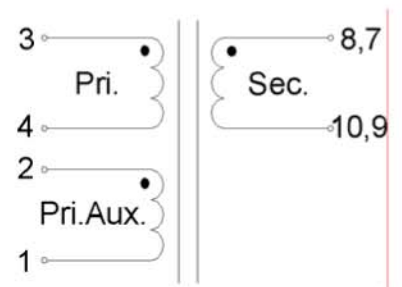
10SEP-2001FNL Mechanicals



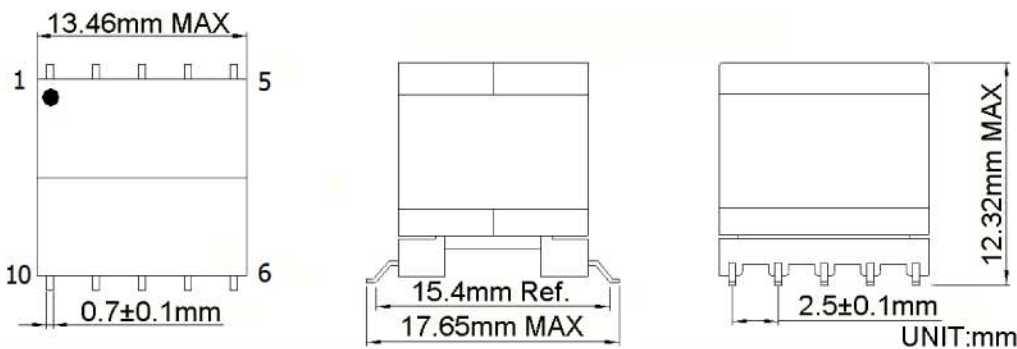
13SEP Mechanicals



Schematics



13SEP-1211ZNL Mechanicals

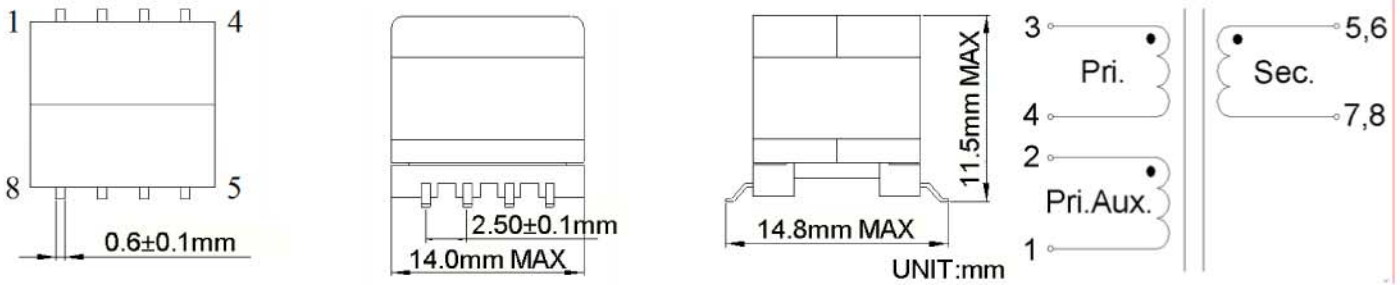


Dimensions:mm

Unless otherwise specified,all tolerances are ± 0.25

13SEP-2611SNL Mechanicals

Schematics



Dimensions:mm

Unless otherwise specified, all tolerances are ± 0.25